

### LB-6-20-A Standard Gain Horn Antenna 110-170GHz 20dB Gain Rectangular Waveguide Interface



Standard Gain Horn Antenna Operating From 110GHz to 170GHz With a Nominal 20dB Gain With Rectangular Waveguide Interface

## Product Information

SKU	LB-6-20-A
-----	-----------

## Description

Standard Gain Horn Antenna LB-6-20-A, operating from 110 to 170GHz with a nominal 20dB gain and low VSWR 1.15:1 with UG387/U-M output. The model LB-6-20-A has uniform gain through its frequency span, providing efficient performance characteristics and directionality. Constructed of lightweight corrosion-resistant aluminum, the antenna will provide years of trouble-free indoor and outdoor service. This standard gain horn antenna is linearly polarized and ideally suited for EMI testing, direction finding, surveillance, antenna gain and pattern measurements and other applications.

## Technical Specification

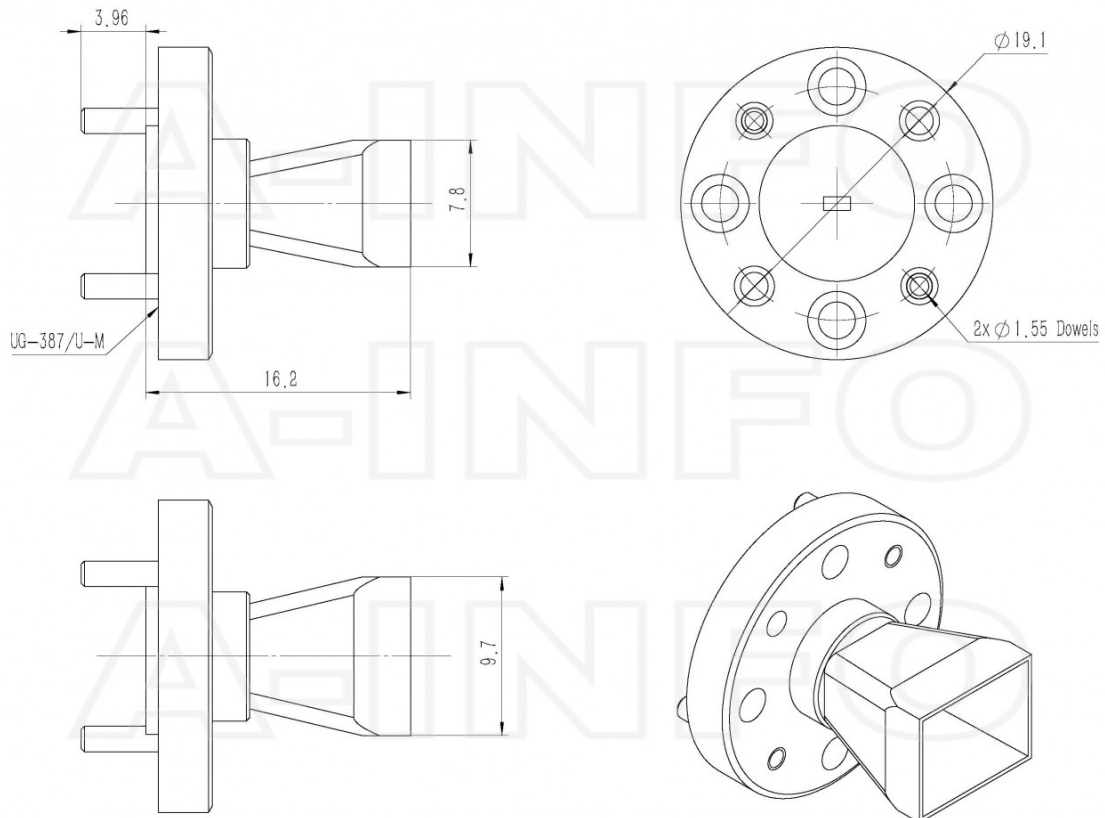
Electrical Specification		Interface	
Frequency, Min (GHz)	110	Output Type	Waveguide
Frequency, Max (GHz)	170	Flange Style	Round
Waveguide Type	Rectangular	Flange Type	Cover
Waveguide Size EIA WR	WR6	Flange Designation	UG-387/U
Gain, Typ (dBi)	20	Mechanical Specification	
Polarization	Linear	Figure	A Type
3dB Beamwidth, E-Plane, Typ (Deg.)	14	Body Material	Cu
3dB Beamwidth, H-Plane, Typ (Deg.)	16	Finish	Gold Plated
Cross Pol. Isolation, Typ (dB)	35	Size, W (mm)	19.1
VSWR, Typ	1.15:1	Size, H (mm)	19.1
		Size, L (mm)	16.2
		Weight, (kg)	0.01

## Additional Information

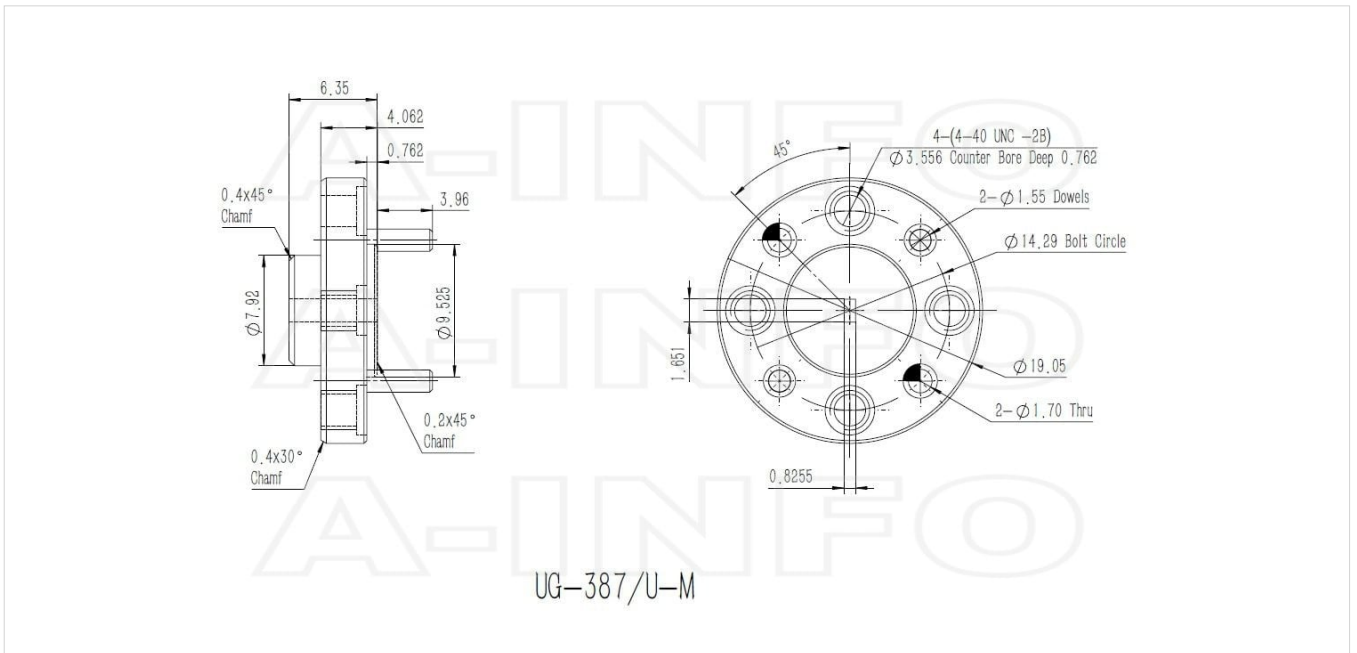
Application	General Purpose Indoor & Outdoor, Fixed	Solution for	Gain Reference Antenna Measurement Reflector Feed Far-field Measurement System Intergration Material Measurement
-------------	---	--------------	---

## Outline Drawing

UG-387/U-M Output (P/N: LB-6-20-A)

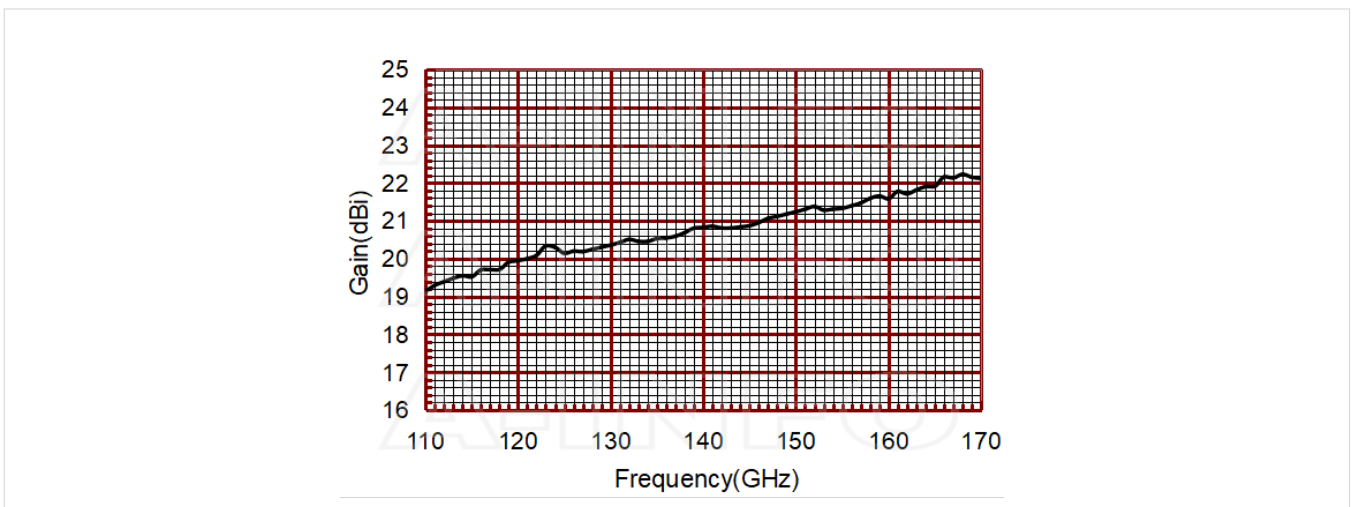


## Flange Drawing

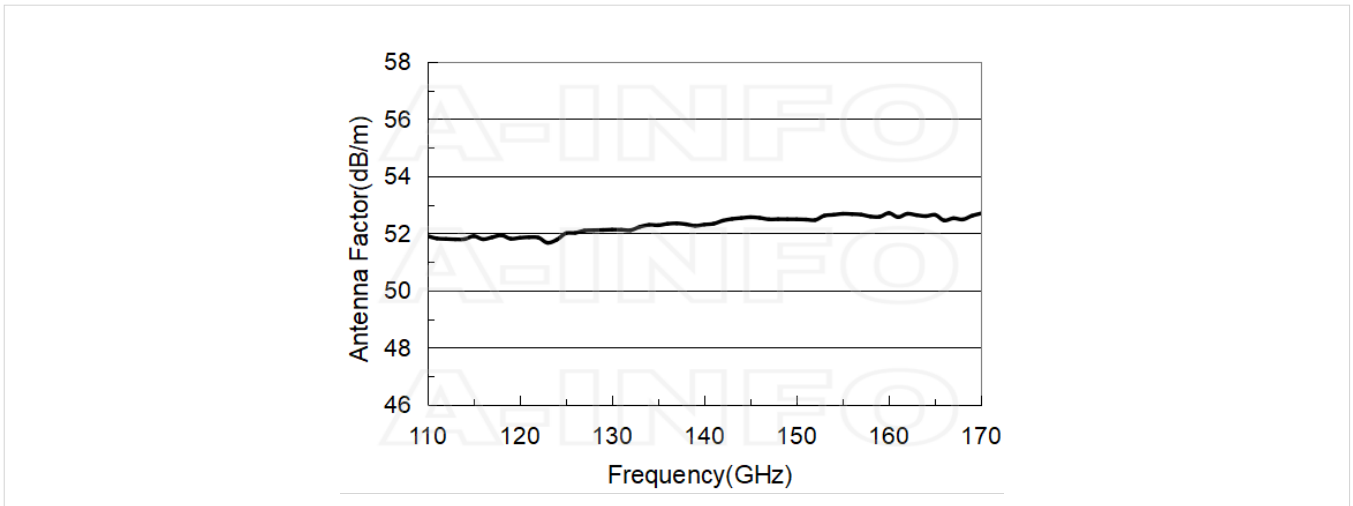


## Typical Test Results

### Gain



## Antenna Factor

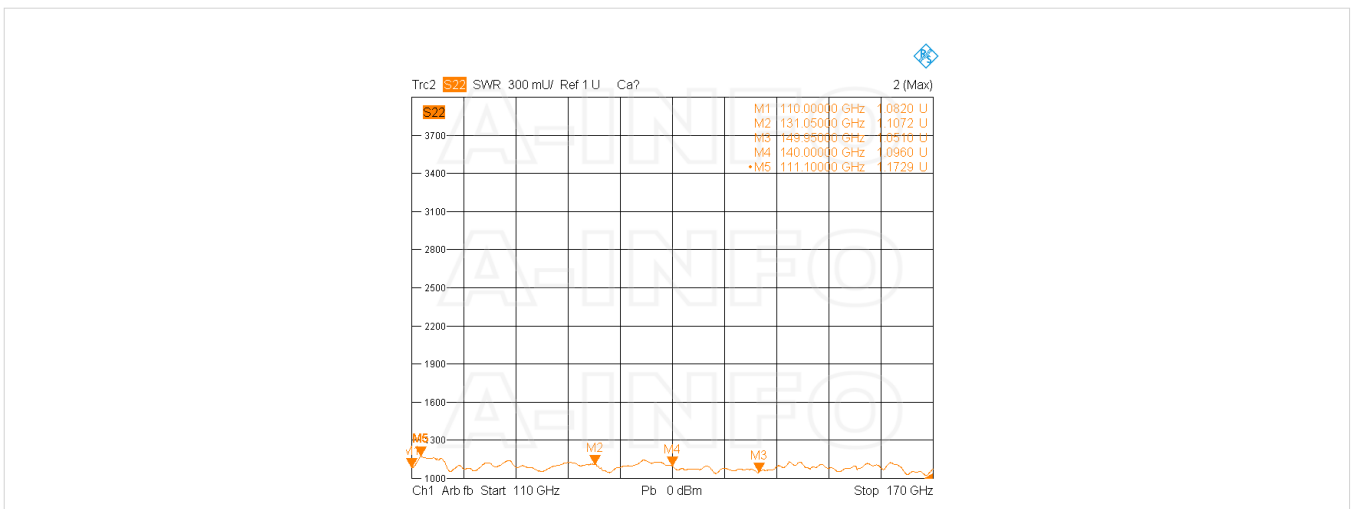


## Antenna Factor (Table)

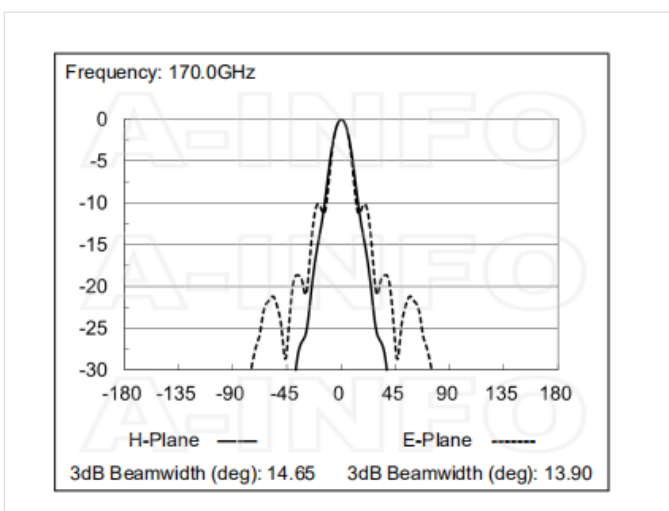
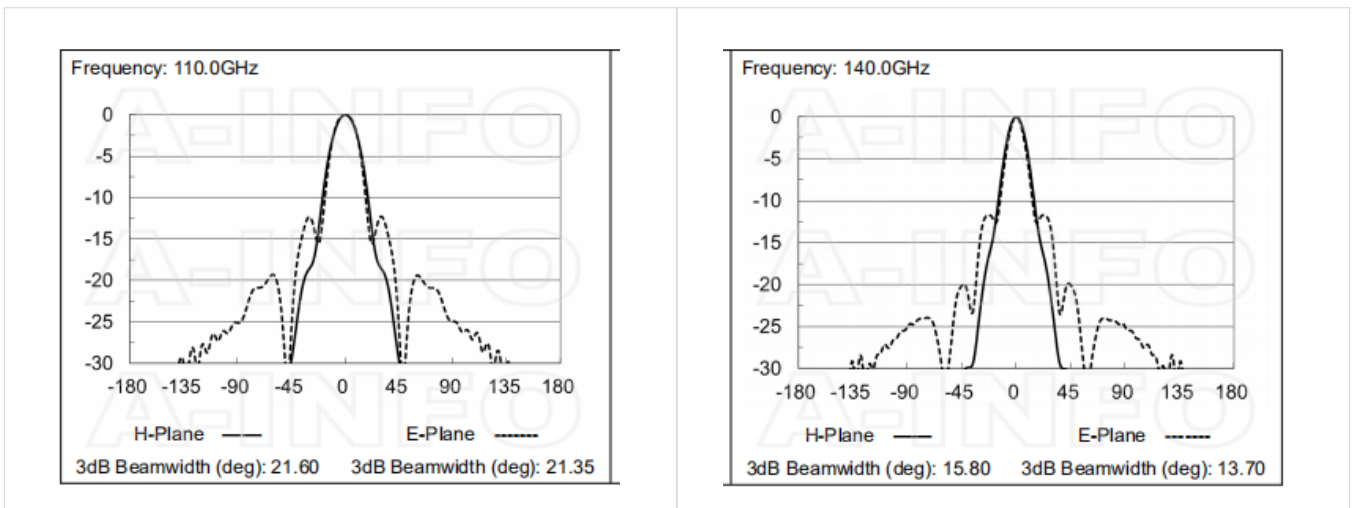
Frequency (GHz)	Gain (dBi)	Antenna Factor (dB/m)	Frequency (GHz)	Gain (dBi)	Antenna Factor (dB/m)
110	19.13	51.91	141	20.85	52.34
111	19.29	51.82	142	20.81	52.45
112	19.39	51.81	143	20.81	52.51
113	19.48	51.79	144	20.84	52.54
114	19.55	51.80	145	20.87	52.57
115	19.52	51.90	146	20.95	52.54
116	19.70	51.80	147	21.06	52.49
117	19.71	51.86	148	21.12	52.50
118	19.71	51.93	149	21.18	52.50
119	19.91	51.81	150	21.24	52.49
120	19.95	51.85	151	21.30	52.48
121	20.00	51.87	152	21.38	52.47
122	20.08	51.85	153	21.28	52.62
123	20.34	51.67	154	21.31	52.65
124	20.30	51.78	155	21.33	52.69
125	20.14	52.01	156	21.40	52.68
126	20.20	52.02	157	21.47	52.66
127	20.19	52.10	158	21.59	52.59
128	20.24	52.11	159	21.65	52.58
129	20.30	52.12	160	21.58	52.71
130	20.36	52.13	161	21.78	52.57
131	20.43	52.13	162	21.71	52.69
132	20.51	52.11	163	21.81	52.64
133	20.46	52.23	164	21.90	52.61
134	20.46	52.30	165	21.91	52.65
135	20.53	52.29	166	22.16	52.45
136	20.55	52.33	167	22.13	52.53
137	20.59	52.35	168	22.23	52.49
138	20.69	52.32	169	22.15	52.62
139	20.80	52.27	170	22.12	52.70
140	20.83	52.31			



## VSWR



## Pattern



## Related Products



HSCS\_4-40UNC\_Pack Assembly Pack

## Similar Products



LB-6-20-ASPO Standard Gain Horn Antenna 110-170GHz 20dB Gain Rectangular Waveguide Interface



LB-6-10-A Standard Gain Horn Antenna 110-170GHz 10dB Gain Rectangular Waveguide Interface



LB-6-10-ASPO Standard Gain Horn Antenna 110-170GHz 10dB Gain Rectangular Waveguide Interface



LB-6-15-A Standard Gain Horn Antenna 110-170GHz 15dB Gain Rectangular Waveguide Interface



LB-6-15-ASPO Standard Gain Horn Antenna 110-170GHz 15dB Gain Rectangular Waveguide Interface



LB-6-25-A Standard Gain Horn Antenna 110-170GHz 25dB Gain Rectangular Waveguide Interface



LB-6-25-ASPO Standard Gain Horn Antenna 110-170GHz 25dB Gain Rectangular Waveguide Interface

## About this Datasheet

<ul style="list-style-type: none"><li>● <b>Product Information</b></li></ul> Product Link: <a href="https://www.ainfoinc.com/lb-6-20-a-standard-gain-horn-antenna-110-170-ghz-20db-gain-ug387-u-m">https://www.ainfoinc.com/lb-6-20-a-standard-gain-horn-antenna-110-170-ghz-20db-gain-ug387-u-m</a> Data subject to change without notice. © A-INFO INC. 2023. All Rights Reserved	<ul style="list-style-type: none"><li>● <b>Contact Us</b></li></ul> Address: 60 Tesla, Irvine, CA 92618, USA  Website: <a href="http://www.ainfoinc.com">www.ainfoinc.com</a>  Email: <a href="mailto:sales@ainfoinc.com">sales@ainfoinc.com</a>	<ul style="list-style-type: none"><li>● <b>Phone &amp; Fax</b></li></ul> Phone: +1-949-639-9688 +1-949-639-9608  Fax: +1-949-639-9670
--	--	--